

Item to be Scouted

_____ days

Opportunities will be posted for 30 days unless specified

Please describe the item application/ the end use of item.* Provide the item number if applicable: (N95 Mask vs Protective Mask).

Supplier Scouting Number (NIST MEP use)

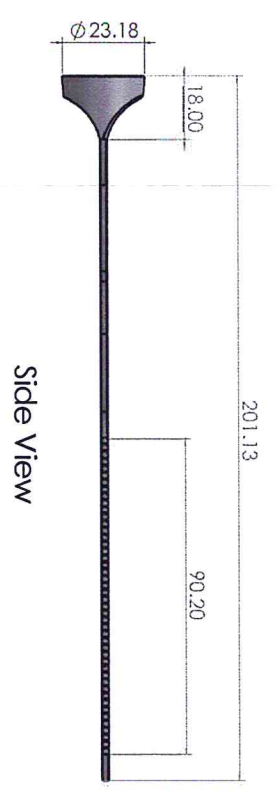
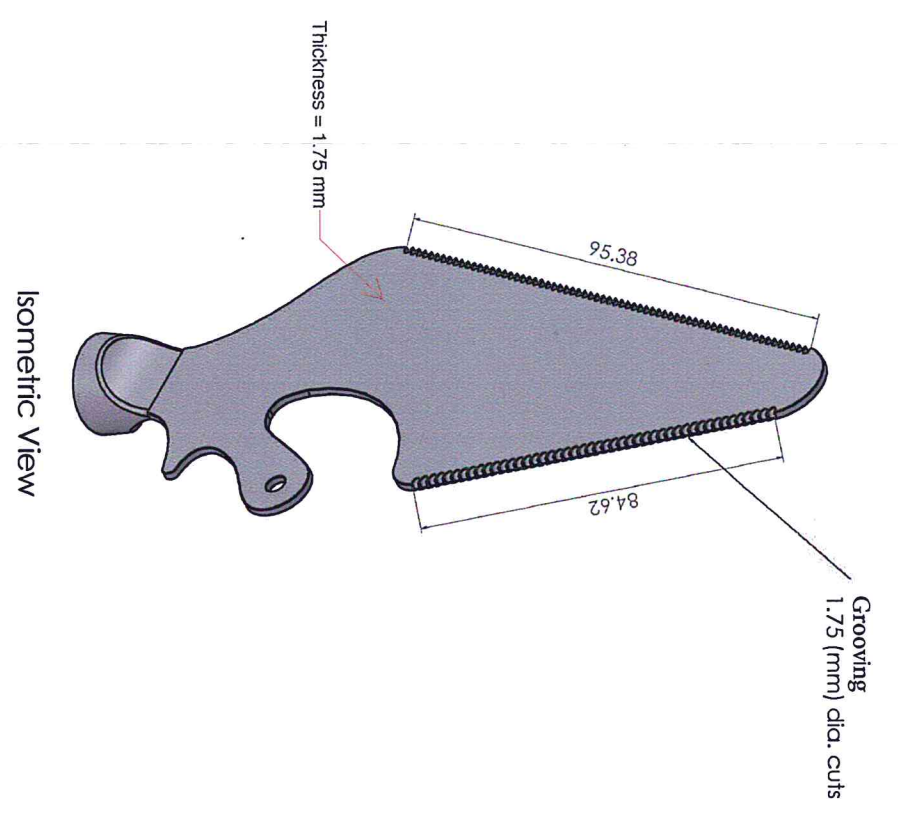
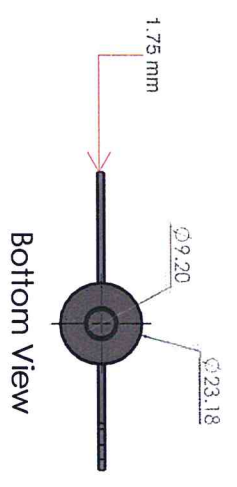
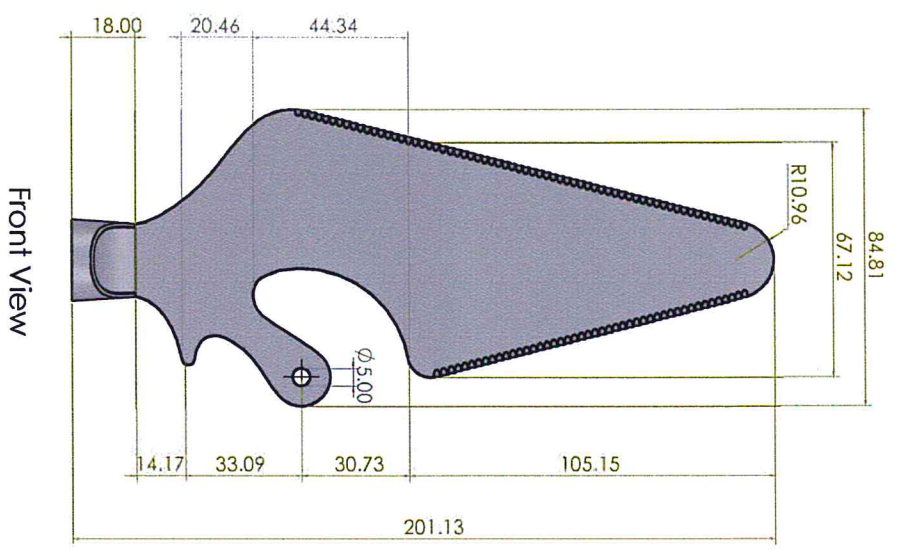
Scouting customer/product [NAICS Code](#), if known

TECHNICAL INFORMATION:	1. Supplier Information	a. Type of supplier being sought*
		<input type="checkbox"/> Manufacturer <input type="checkbox"/> Contract Manufacturer <input type="checkbox"/> Distributor <input type="checkbox"/> Other _____
	2. Summary of Technical Specifications and Performance Requirements:	b. Reason for scouting submission*
		<input type="checkbox"/> 2 nd Supplier <input type="checkbox"/> Price <input type="checkbox"/> Re-shore <input type="checkbox"/> Past supplier no longer available <input type="checkbox"/> New Product Startup <input type="checkbox"/> Other _____
		a. Describe the manufacturing processes (elaborate to provide as much detail as possible).*
		b. Provide dimensions / size / tolerances / performance specifications for the item.*
c. List required materials needed to make the product, including materials of product components.*		

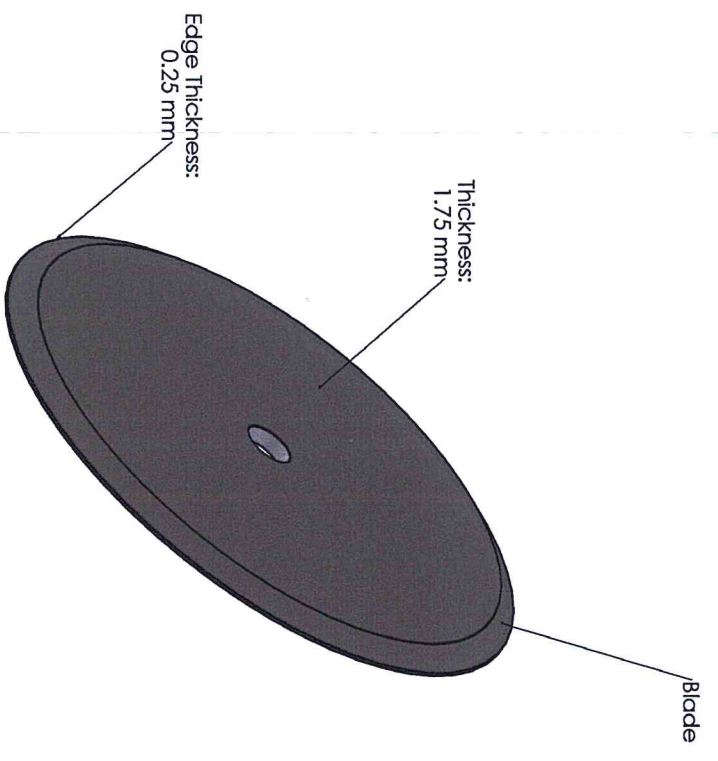
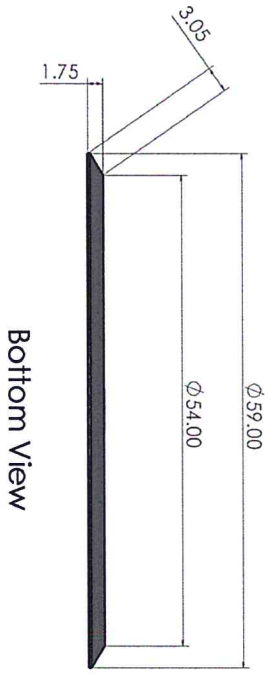
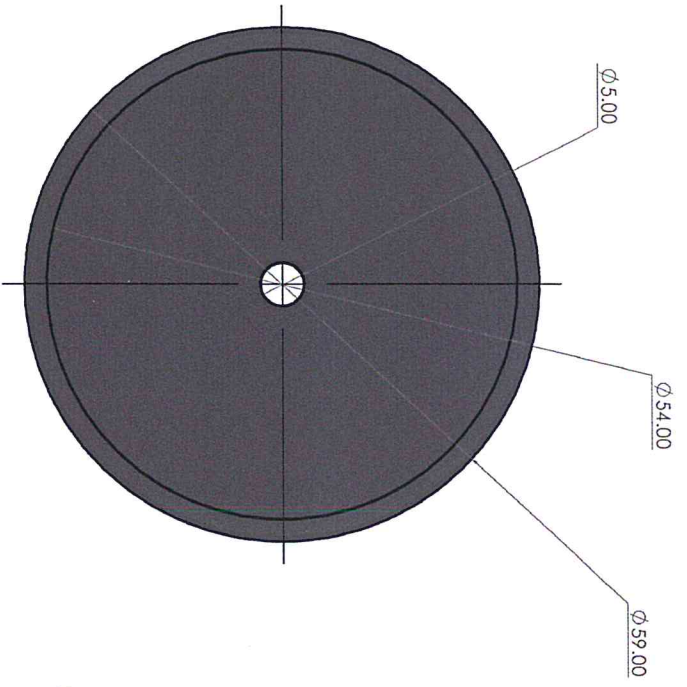
	2. Summary of Technical Specifications and Performance Requirements cont:	d. Are there applicable certification requirements? * <input type="checkbox"/> Yes <input type="checkbox"/> No Please explain
		e. Are there applicable regulations? * <input type="checkbox"/> Yes <input type="checkbox"/> No Please explain
		f. Are there any other standards, requirements, etc.? * <input type="checkbox"/> Yes <input type="checkbox"/> No Please explain
		g. Additional Comments: Is there other information that would impact the item's performance or usefulness? Please explain.
BUSINESS INFORMATION:	3. Volume and Pricing	3a. Estimated potential business volume (i.e., # Units Per Day, Month, Year) *:
		b. Estimated target price / unit cost information (flexible and negotiable <u>not</u> accepted) *:
	4. Delivery Requirements:	a. When is it needed by? (Immediate, 30 Days, 6 months, etc.) *
		b. Describe packaging requirements (i.e., individually/group packaging) *
		c. Where will this item be shipped? *
5. Additional Comments:	Is there other information you would like to include?	

Photos or diagrams of the item (helpful but not required).

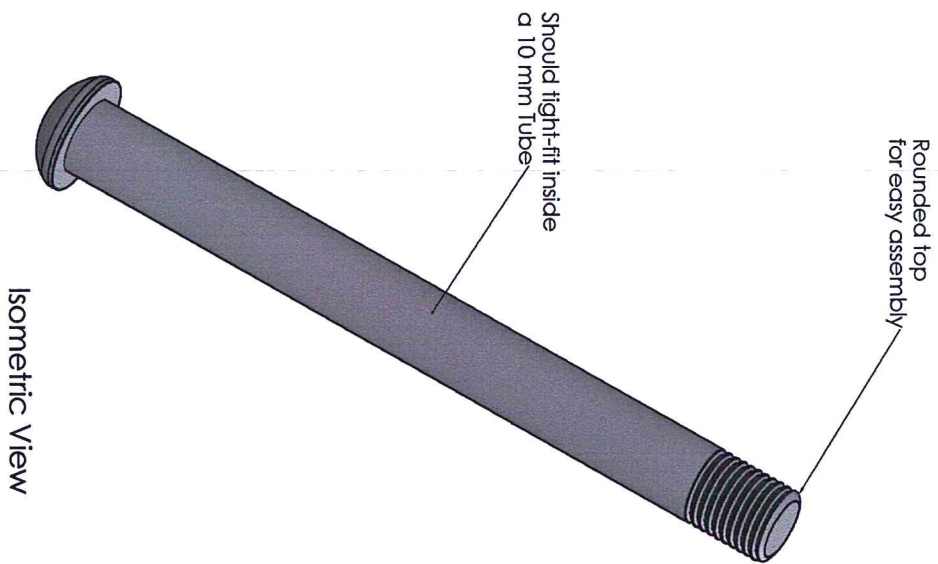
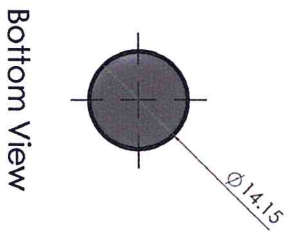
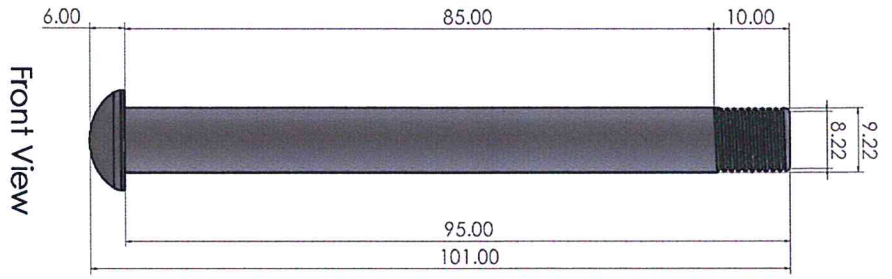
Part name:
Server
 PIZZA CUTTER
 SPINNA COMBO



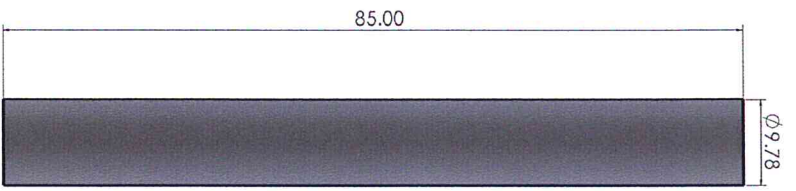
Part name:
Cutter



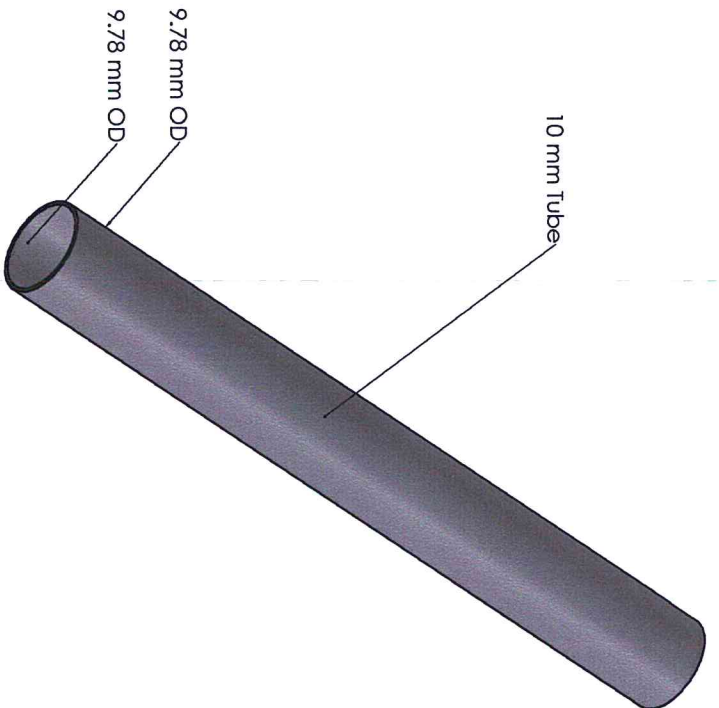
Part name:
Rod



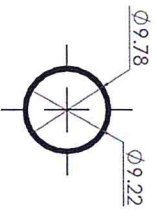
Part name:
Tube



Front View



Isometric View



Bottom View

Assembly:

